

## LCS-50P 50 watt Polycrystalline Solar Module

### KEY FEATURES

- One of Industry's most trusted modules with thousands installed
- Industry leading PTC performance
- High quality solar cells made in Germany
- Compatible with all major components and system designs
- Guaranteed no hot spots

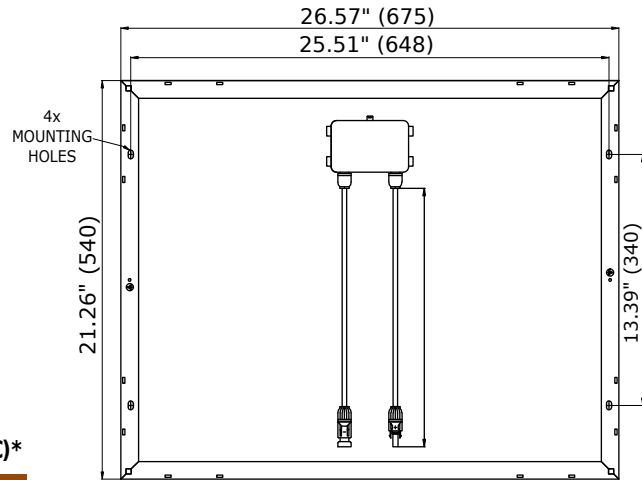
### PERFORMANCE UNDER STANDARD TEST CONDITIONS (STC)\*

Model	LCS-50P	
Maximum power	$P_{max}$	50+ W
Open Circuit Voltage	$V_{oc}$	22.4
Maximum power point voltage	$V_{mpp}$	17.9 V
Short circuit current	$I_{sc}$	3.44 A
Maximum power point current	$I_{mpp}$	3.13 A

\*STC: 1000W/m<sup>2</sup>, 25°C, AM 1.5

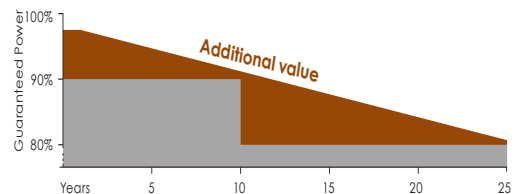
### ADDITIONAL DATA

Power tolerance	+5/-0 W
Max system voltage USA NEC	600 V
Module efficiency	14.27%
Temp coefficient of $P_{max}$	-0.24%/°F
Connector	MC4
Fire rating (UL790)	Class C
J-Box	IP65
Dimensions	25.5x21.3x1.4
Weight	10 lbs
Snow Load	5400 Pa



### LINEAR PERFORMANCE WARRANTY

5 Year Product Warranty • 25 Year Linear Power Warranty



LightCatcher Solar guarantees a maximum performance degradation of 0.8% annually in the course of 25 years, a significant added value compared to the two-phase warranties common in the industry.

